

Specification for Tweeter

Model No. :	VCT5714-T	Drawing No.	VS20200401012
Customer :			

SPECIFICATION

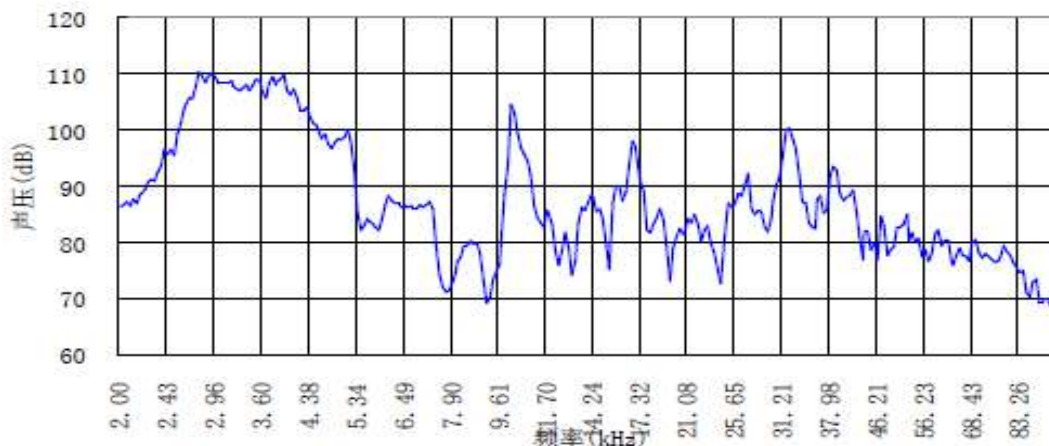
NO.	Items	Specification	Test Condition
1	Out-Diameter	57mm	
2	Height	14.5mm	
3	Rated Voltage	12Vp-p	
4	Operating Voltage	9-60Vp-p	
5	Max Rated Current	5mA/12Vp-p	
6	Capacitance at 1kHz	200000±30%pF	
7	Sound Pressure Level	104dB±3dB	at 4.2Vrms/2.0-5kHz/30cm
8	Resonant Frequency	3k±0.5kHz	
9	Rated Frequency Range	2.0-60KHz	
10	Housing Material/Color	ABS/Black	
11	Specification after test	must be normal	Initial Value ±10dB
12	Load Test	after test meet item 11	rated white noise power, 96 Hrs.
13	Heat Test	after test meet item 11	+60±2°C 20~50% 96Hrs.
14	Cold Test	after test meet item 11	-30±3°C 96Hrs.
15	Humidity Test	after test meet item 11	+40±2°C, 90~95% 96Hrs.
16	Weight	15±5%g	
17	Waterproof	IP64	

Frequency Response Curve Input Signal: 1.5Vrms, 1.0-80kHz, sine wave

输入信号: 4.2Vrms Sine Wave/2-5KHz
 Input Signal: 4.2Vrms 正弦波/2-5KHz



MIC : ND10 普通声级计或等同品
 MIC : ND10 Sound Meter or equivalent
 S.G. : DF1010 振荡器或等同品
 S.G. : DF1010 Oscillator or equivalent

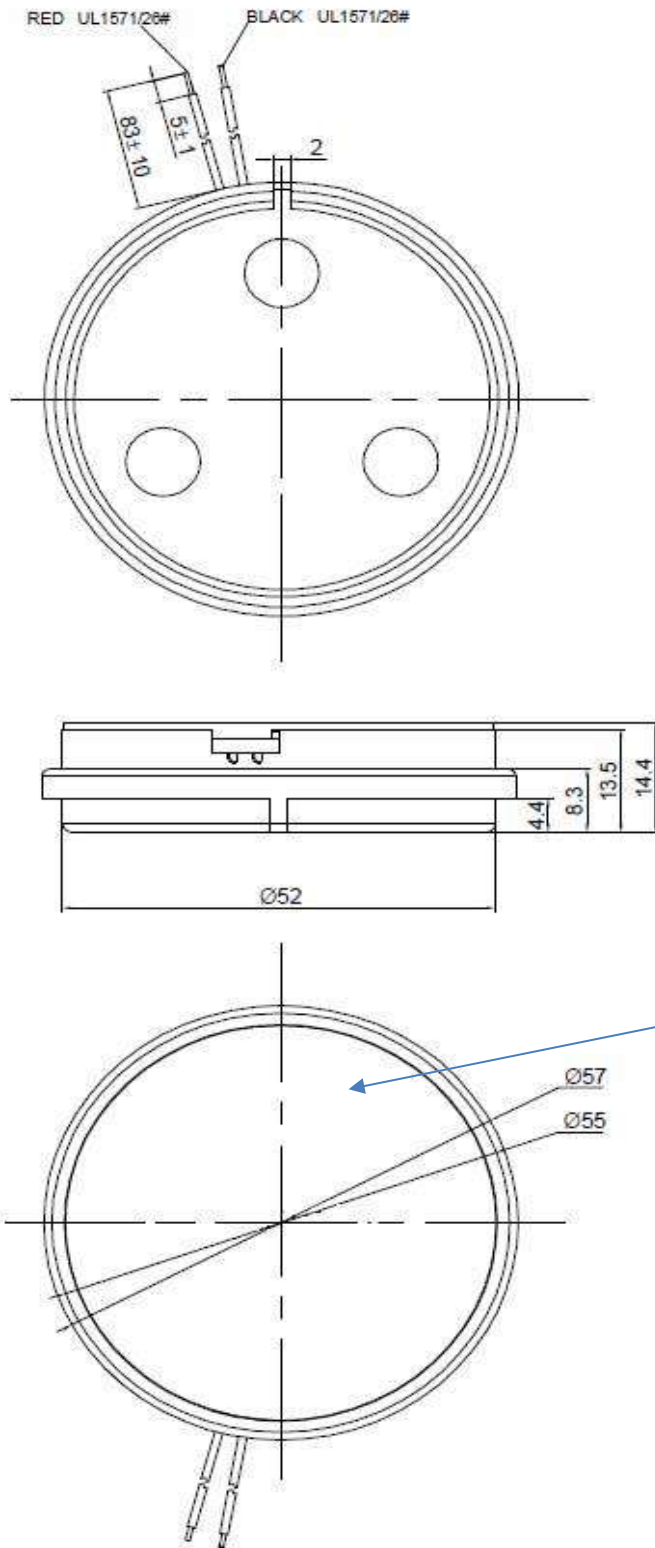


Specification for Tweeter

Model No. VCT5714-T

Drawing No. VS20200401012

Dimensions:



Unit : mm
Tolerance : ± 0.2